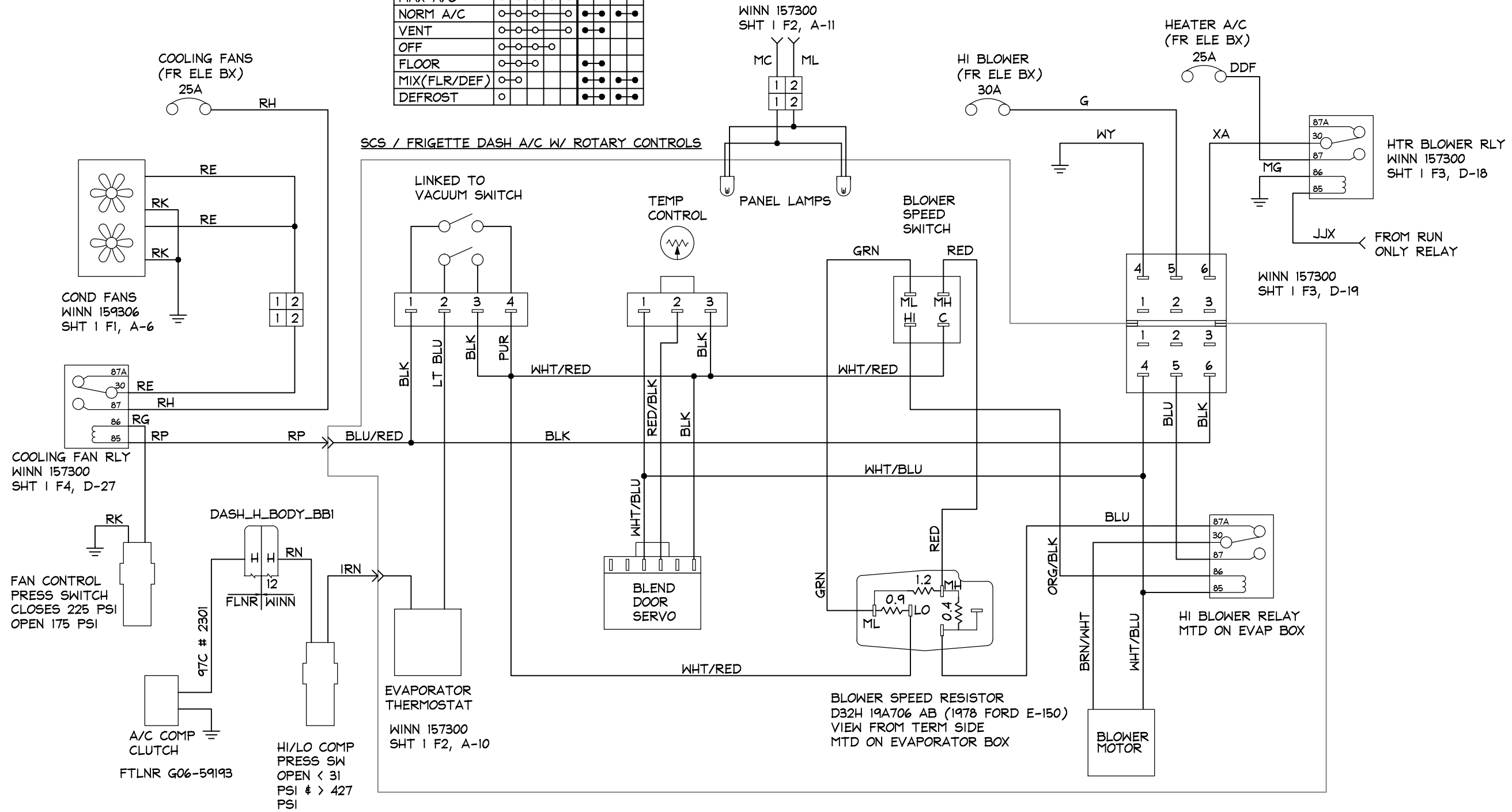


**MODE SELECTION CONTROL**

	VACUUM				ELECT				
	5	3	2	1	4	1	4	2	3
MAX A/C	○	○	○	○	○	●	●	●	●
NORM A/C	○	○	○	○	○	●	●	●	●
VENT	○	○	○	○	○	●	●		
OFF	○	○	○	○	○	○	○	○	○
FLOOR	○	○	○	○	○	●	●		
MIX (FLR/DEF)	○	○			○	●	●	●	●
DEFROST	○				○	●	●	●	●



REFERENCE:  
WIT TIPS 2005 AUTOMOTIVE HEATING & A/C  
SEE ALSO DWG "SCS VAC".

This document and the design it covers are the property of JAMES EXLER. They are loaned only with the borrower's expressed agreement that they will not be reproduced, copied, loaned, exhibited, or used in any other way, except by written consent from JAMES EXLER.

DATE	
REVISION DESCRIPTION	
REV	0
BY	
<b>EXLER</b> James Exler 823 W River Stone Ct Nampa, ID 83686 (208) 461-7033	
Project:	SCS A/C ELECTRIC
Owner:	James Exler
Address:	823 W River Stone Ct
City, St, Zip:	Nampa, ID 83686
Parcel Number:	(208) 461-7033
Title:	SCS DASH A/C
Job Number	34H
Drawn Date	8/15/16
Drawing Scale	N/A
Drawn By	JIM X
Rev #	0
Drawing Number	SCS ELE